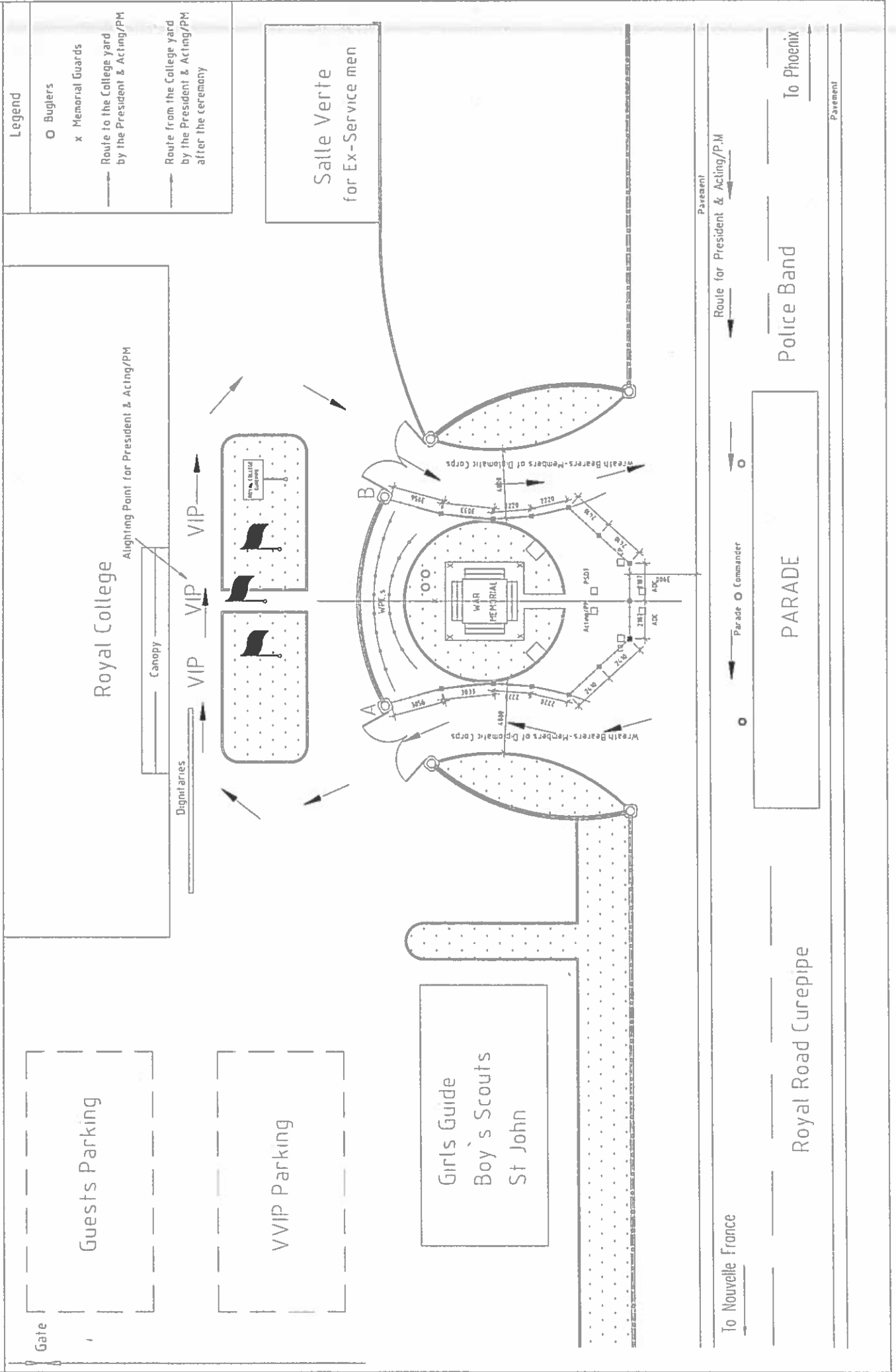


REMEMBRANCE DAY CEREMONY AT ROYAL COLLEGE

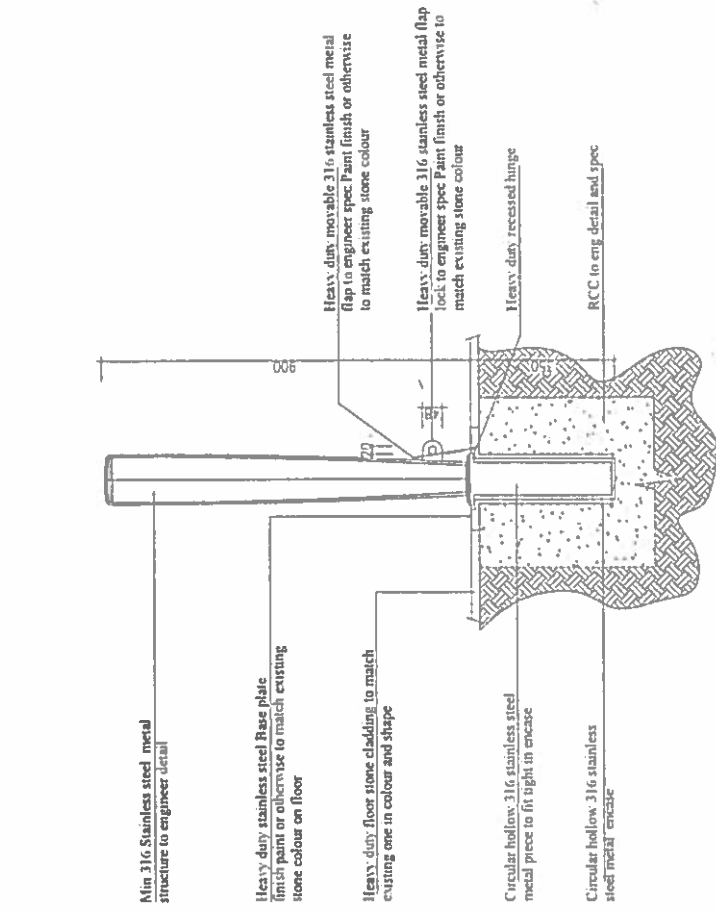


NOTES

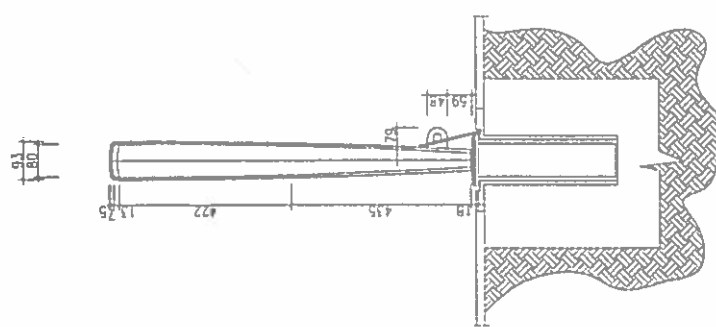
1. Read the general site of architect's and Engineer's respective work.
2. No deviation from the stipulated work on the drawings is allowed without prior permission in writing.
3. Any discrepancy between the drawing and any contract document is abnormal. Please ask.
4. Contractor is to verify all dimensions.
5. Do not scale - Use figured dimensions.

Project	NO. 370103: CIVIL AT KAR MUGURAI ROYAL COLLEGE, CUREPEPE
Drawn	
Checked	
Approved	

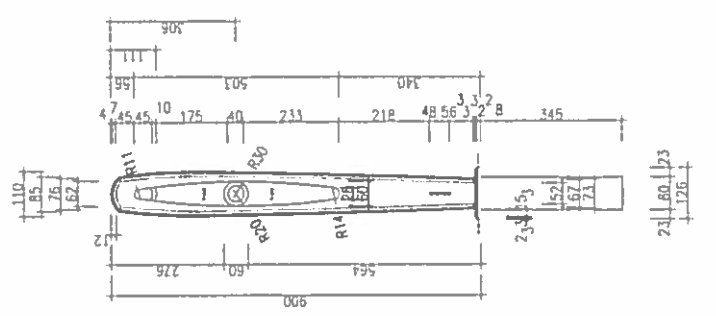
PLAN, SECTION, ELEVATION OF DETAILS	
Structural (Architect)	A. S. M. Mohan
Structural (Engineer)	C. Chennappa
Lead Architect	M. B. Appala
Architect (Architect)	J. Venkatesh
Chief Technical Design Officer	B. Shivappa
Principal Technical Design Officer	S. Parasuram
Senior Technical Design Officer	P. Suresh
Technical Design Officer	S. Ganesh
Scale	1:10
Sheet No.	370103/17
Project No.	370103
Client	UNIVERSITY OF MADRAS, MADRAS, U.T. & S.
Drawn	C/SK01



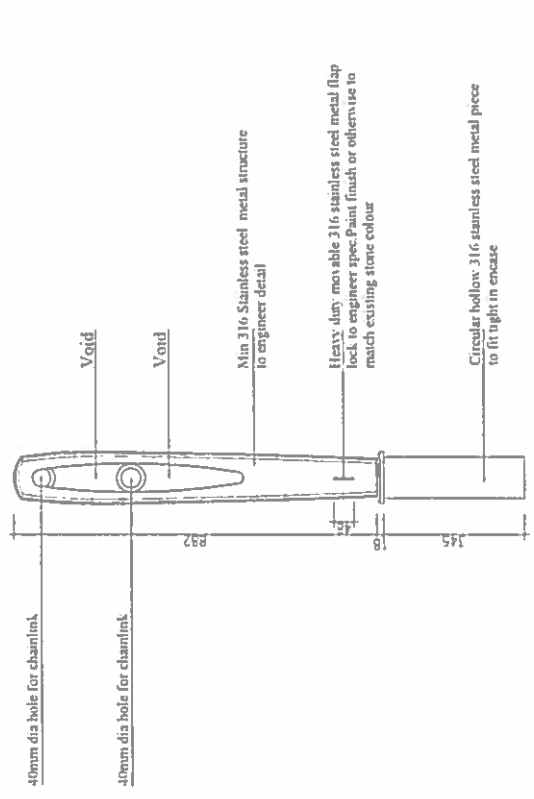
FRONT ELEVATION



SIDE ELEVATION



TOP VIEW



DETAILS TO BOLLARD

PLAN

Top View